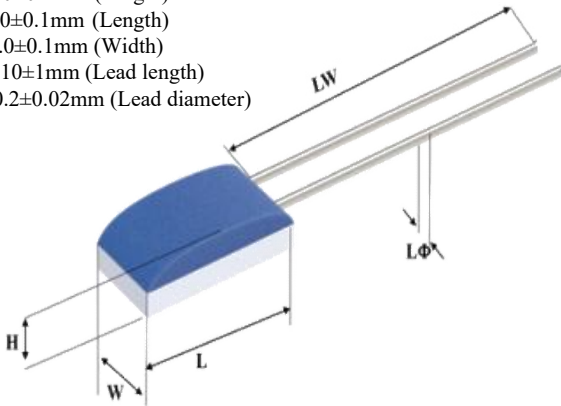


H = 1.0±0.1mm (Height)  
 L = 4.0±0.1mm (Length)  
 W = 2.0±0.1mm (Width)  
 LW = 10±1mm (Lead length)  
 Lφ = 0.2±0.02mm (Lead diameter)



\*The nominal resistance measurement point is 8mm away from the component body

**MAIN FEATURES**

- PT1000 series thin film platinum resistors have the advantages of small size, high precision and good long-term stability.
- It has the characteristics of anti-vibration and anti-shock.
- The product can be subdivided into regular ultra low and high temperature series, covering the temperature range of -70 to 500°C.
- It can be used in many connection ways, such as resistance welding, argon arc welding, pressure welding, brazing and so on.
- Widely used in automotive, instrumentation, household appliances, new energy and other fields.



**TECHNICAL INDEX**

Performance parameters	Thin film platinum resistance series	Component size	2.0x4.0x1.0mm 2.0x2.3x1.0mm
Lead specifications	Length:10mmmm; Diameter:0.2mm	Lead material	Platinum nickel; Silver target; Pure Platinum; Sterling silver;
Lead tension	≥9N	Insulation impedance	>100MΩ at 20°C、 > 2MΩ at 500°C
Temperature coefficient (TCR)	3850ppm/°C	Working current	0.1- 0.3mA (Self-heating should be considered)
Long-term stability	After 1000 hours at 500°C , the resistance shift of R(0°C) is less than0.04%		
Response time	Water flow(v=0.4m/s) τ <sub>0.5</sub> =0.1s τ <sub>0.9</sub> =0.3s	Airflow(v=2m/s)	τ <sub>0.5</sub> =5s τ <sub>0.9</sub> =15s
Natural coefficient	0°C 0.4°C/mW	Anti-vibration	Frequency acceleration ≥40g from 10 to 2000Hz
Impact resistant	8ms half sine wave acceleration ≥100g	Package	Vacuum plastic packaging (Provide other packaging forms as required)
Others	Substrate size, basic resistance value, lead specifications (can be provided upon request)		



**REFERENCE SELECTION**

Type	Range of application	Classes	R <sub>0</sub> (Ω)	Temperature range	Accuracy
Pt1000-N500	-70~+500°C	1/3B	1000±0.4	0~+150°C	±(0.1+0.0017 T )
		A	1000±0.6	-50~+300°C	±(0.15+0.002 T )
		B	1000±1.2	-70~+500°C	±(0.3+0.005 T )
		2B	1000±2.4	-70~+500°C	±(0.6+0.01 T )
Pt1000-GW650	-70~+650°C	B	1000±1.2	-70~+650°C	±(0.3+0.005 T )
		2B	1000±2.4	-70~+650°C	±(0.6+0.01 T )
Pt1000-DW200	-200~+150°C	B	1000±1.2	-200~+150°C	±(0.3+0.005 T )
		2B	1000±2.4	-200~+150°C	±(0.6+0.01 T )

Note \* : the marked classes and temperature measurement accuracy refer to the IEC60751 standard. T is the measured temperature.